

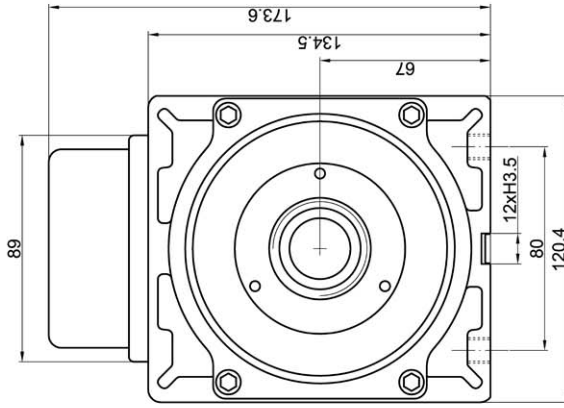
SERIE **CB0/67**

ELETTROMANDRINO

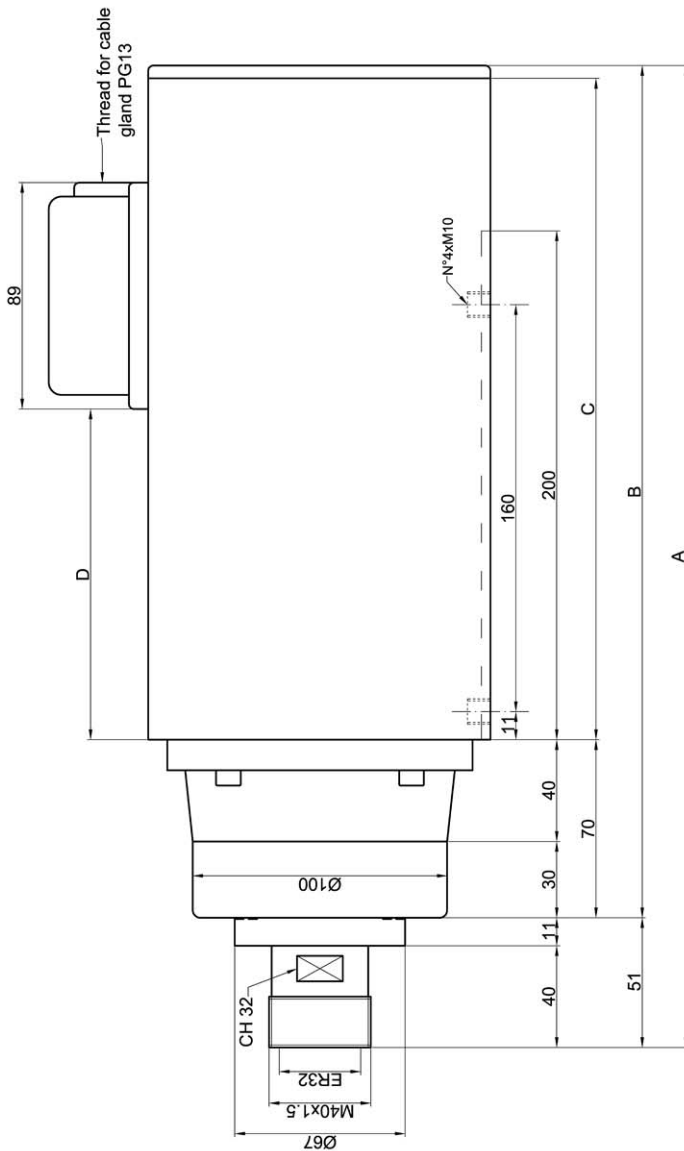
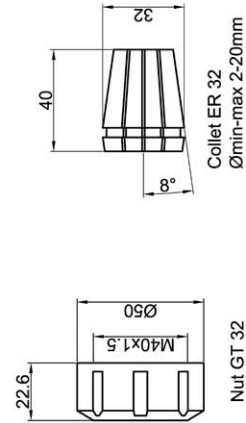


ELECTROSPINDLE

ELETTROMANDRINO - ELECTROSPINDLE



Standard fixing holes on terminal board opposite side.
Fixing holes on other sides on demand.
Collets, nuts and wrenches only on demand.



TYPE	OVERALL DIMENSION (mm)				POWER CHARACTERISTICS			
	A	B	C	D	Hz	kW	V	A
6067 A	346	295	220	90	100	1,9	220 / 380	7,55 / 4,35
					200	3,0	220 / 380	12,3 / 7,10
					300	4,5	220 / 380	18,0 / 10,0
					400	4,5	220 / 380	18,0 / 10,0
6067 D	386	335	260	130	100	3,3	220 / 380	12,8 / 7,4
					200	4,5	220 / 380	18,2 / 10,6
					300	7,0	220 / 380	25,0 / 14,5
					400	7,0	220 / 380	25,0 / 14,5

The electrospindle C60/67 can be equipped even with ER40 shaft end.